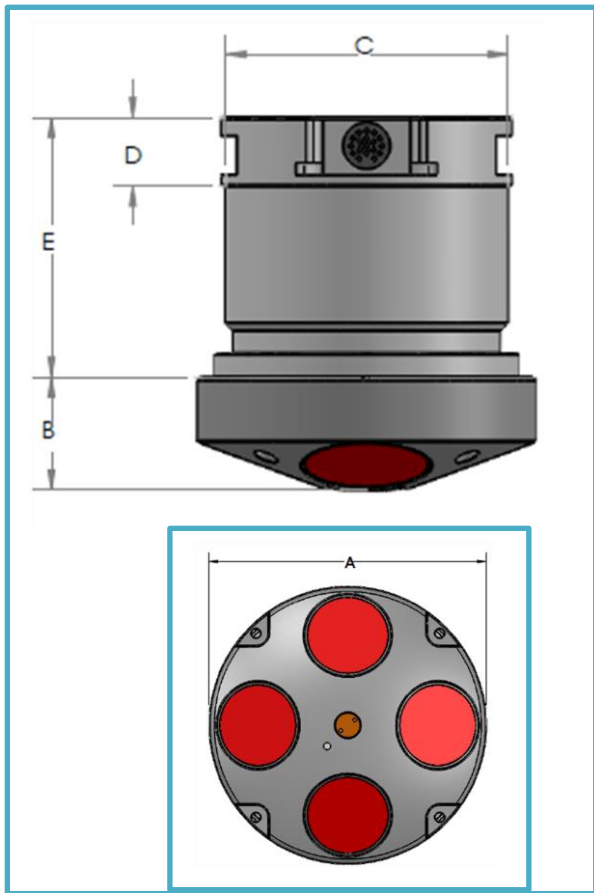
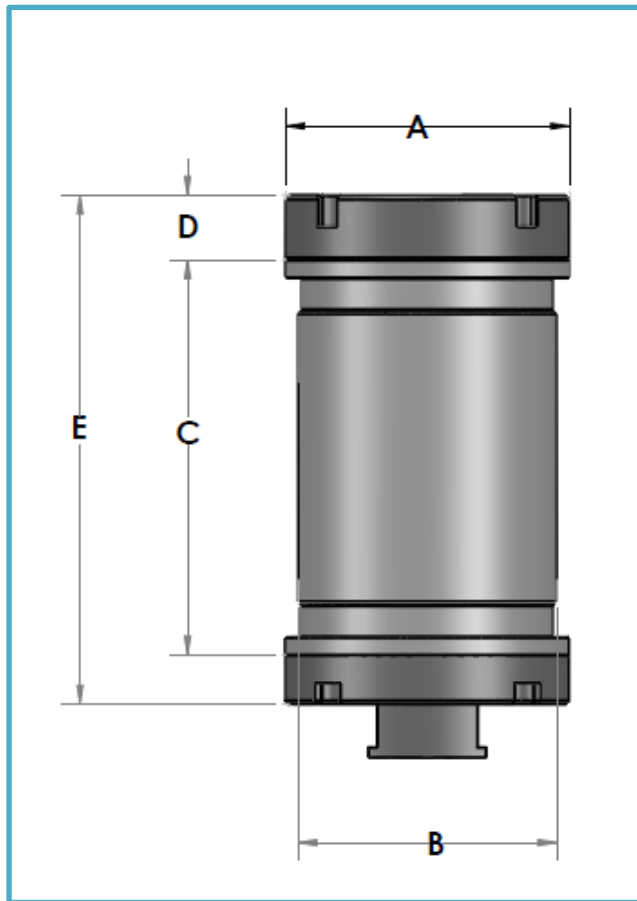




**DESCRIPTION:** OUTLINE DRAWING OF 3 INCH TRANSDUCERS 4 BEAM SYSTEM and Details of external battery pack



Face view and Side view of the 4-beam system with each transducer size = 3 inches



Side view of the External battery pack. Table of Mechanical Dimensions is given below.

### 4 BEAM DIRECT READ SYSTEM

PRESSURE RATING	HEAD		HOUSING		
	DIAMETER (A)	THICKNESS (B)	DIAMETER (C)	HOUSING HEIGHT (E)	ENDCAP HEIGHT (D)
300 m	7.90"/200.7mm	2.35"/59.7mm	7.90"/200.7mm	11.00"/279.4mm	1.35"/34.3mm
3000 m					
6000 m					

*This document contains proprietary information of Rowe Technologies Inc. and shall not be used, reproduced, or disclosed to any other parties for any other purpose without the expressed written permission of Rowe Technologies Inc.*



**DESCRIPTION:** OUTLINE DRAWING OF 3 INCH TRANSDUCERS 4 BEAM SYSTEM and Details of external battery pack

### EXTERNAL 1 battery pack

PRESSURE RATING	HEAD		HOUSING		
	DIAMETER (A)	THICKNESS (B)	DIAMETER (C)	HOUSING HEIGHT (E)	ENDCAP HEIGHT (D)
300 m	7.90"/200.7mm	2.35"/59.7mm	7.90"/200.7mm	11.00"/279.4mm	1.35"/34.3mm
3000 m					
6000 m					

### EXTERNAL 2 battery pack

PRESSURE RATING	HEAD		HOUSING		
	DIAMETER (A)	THICKNESS (B)	DIAMETER (C)	HOUSING HEIGHT (E)	ENDCAP HEIGHT (D)
300 m	8.90"/226.1mm	2.70"/68.6mm	7.90"/200.7mm	16.00"/406.4mm	1.35"/34.3mm
3000 m	8.90"/226.1mm	2.70"/68.6mm	7.90"/200.7mm	17.20"/436.9mm	1.40"/35.6mm
6000 m	8.90"/226.1mm	2.70"/68.6mm	7.90"/200.7mm	17.20"/436.9mm	1.40"/35.6mm

### EXTERNAL 4 battery pack

PRESSURE RATING	HEAD		HOUSING		
	DIAMETER (A)	THICKNESS (B)	DIAMETER (C)	HOUSING HEIGHT (E)	ENDCAP HEIGHT (D)
300 m					
3000 m					
6000 m					

*This document contains proprietary information of Rowe Technologies Inc. and shall not be used, reproduced, or disclosed to any other parties for any other purpose without the expressed written permission of Rowe Technologies Inc.*